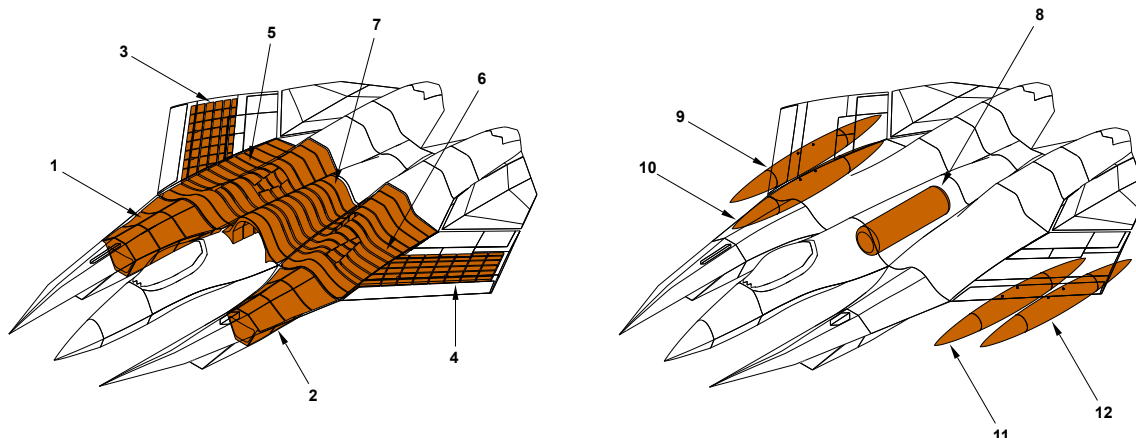


SM-39 FUEL QUANTITIES & TANK ARRANGEMENT



INTERNAL FUEL TANKS		USABLE FUEL			
TANK #	TANK LOCATION	US GALLONS	JP-4 POUNDS	JP-5 POUNDS	JP-8 POUNDS
1	Left Strake: 27100	794	5,161	5,400	5,320
2	Right Strake: 27200	794	5,161	5,400	5,320
3	Left Wing: 27300	162	1,053	1,102	1,085
4	Right Wing: 27400	162	1,053	1,102	1,085
5	Left Fuselage: 27500	1,121	7,287	7,623	7,511
6	Right Fuselage: 27600	1,121	7,287	7,623	7,511
7	Center Fuselage: 27700	467	3,036	3,176	3,129
TOTAL INTERNAL FUEL		4,621	30,037	31,423	30,961

EXPENDABLE/EXTERNAL TANKS		USABLE FUEL			
TANK #	TANK LOCATION	US GALLONS	JP-4 POUNDS	JP-5 POUNDS	JP-8 POUNDS
8	Weapon Bay: 44-970-50150	970	6,305	6,596	6,500
9	Left External: 32-600-50300	600	3,900	4,080	4,020
10	Left External: 32-600-50300	600	3,900	4,080	4,020
11	Right External: 32-600-50300	600	3,900	4,080	4,020
12	Right External: 32-600-50300	600	3,900	4,080	4,020
TOTAL EXPENDABLE/EXTERNAL		3,370	21,905	22,916	22,579

MAXIMUM AIRCRAFT FUEL: ALL TANKS	7,991	51,942	54,339	53,540
---	--------------	---------------	---------------	---------------

NOTES:

- 1) Fuel weights are based on JP-4 at 6.5 lbs/gal, JP-5 at 6.8 lbs/gal and JP-8 at 6.7 lbs/gal and an atmospheric temperature of 59°F.
- 2) Fuel quantities, in pounds, are rounded to the nearest pound. The actual gallons times 6.5, 6.7 or 6.8 will not necessarily agree with the pounds column.