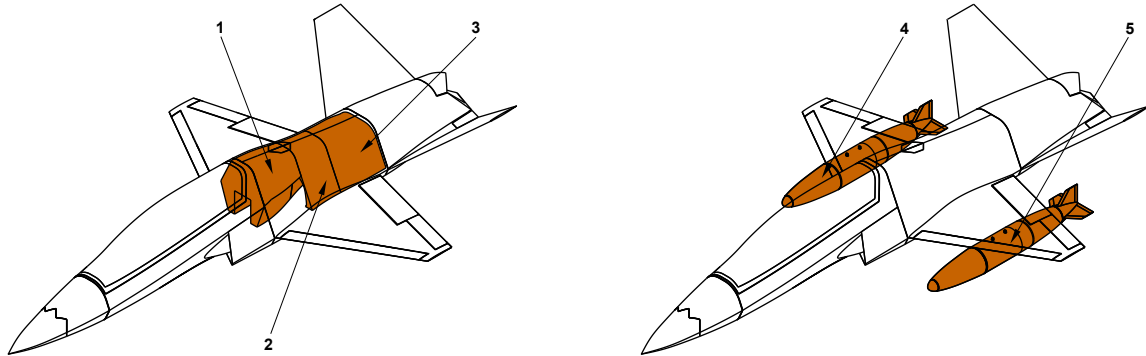


## SM-31S/T FUEL QUANTITIES & TANK ARRANGEMENT



INTERNAL FUEL TANKS		USABLE FUEL			
TANK #	TANK LOCATION	US GALLONS	JP-4 POUNDS	JP-5 POUNDS	JP-8 POUNDS
1	Fuselage: 272001-T	263	1,707	1,786	1,706
2	Fuselage: 272002-T	146	952	996	981
3	Fuselage: 272003-T	189	1,226	1,282	1,263
<b>TOTAL INTERNAL FUEL</b>		<b>580</b>	<b>3,768</b>	<b>3,942</b>	<b>3,884</b>

EXPENDABLE/EXTERNAL TANKS		USABLE FUEL			
TANK #	TANK LOCATION	US GALLONS	JP-4 POUNDS	JP-5 POUNDS	JP-8 POUNDS
4	Right External: 401315	150	975	1,020	1,005
5	Right External: 401315	150	975	1,020	1,005
<b>TOTAL EXPENDABLE/EXTERNAL</b>		<b>300</b>	<b>1,950</b>	<b>2,040</b>	<b>2,010</b>

<b>MAXIMUM AIRCRAFT FUEL: ALL TANKS</b>	<b>880</b>	<b>5,718</b>	<b>5,982</b>	<b>5,894</b>
---	------------	--------------	--------------	--------------

**NOTES:**

- 1) Fuel weights are based on JP-4 at 6.5 lbs/gal, JP-5 at 6.8 lbs/gal and JP-8 at 6.7 lbs/gal and an atmospheric temperature of 59°F.
- 2) Fuel quantities, in pounds, are rounded to the nearest pound. The actual gallons times 6.5, 6.7 or 6.8 will not necessarily agree with the pounds column.