

# RESCU 406SG

## Portable Emergency Locator Transmitter (ELT)



### *Portable, Rugged ELT for Commercial Aircraft*

The portable **RESCU 406SG** is a compact, buoyant, two-frequency water-activated survival ELT. It is crew-deployable and activates instantly upon immersion in water, or manually. It features an internal GPS receiver that provides exact position in the emergency signal transmission, for fastest rescue time. It operates on international aeronautic distress frequency 121.5 MHz as well as Cospas-Sarsat frequency at 406.040 MHz.

The RESCU 406SG antenna is a spring-loaded steel shaft and is attached to the antenna socket by means of a spring-loaded, flexible stainless steel cable. In normal installation, it is pivoted on this flexible steel cable, folded along the length of the ELT body and held by an antenna-retaining clip which itself is secured to the battery casing by watersoluble tape. For stowage, the antenna is held under the lip of the antenna-retaining clip. This arrangement permits full extension of the antenna for test purposes without breaking the water-soluble tape.

An optional Adapter Plate enables convenient installation at the most suitable location in the aircraft. Metal straps and latch secure the unit during crash and ensure quick removal during an emergency, allowing the ELT to be easily removed by survivors for use outside the aircraft.

### KEY FEATURES

- > Latest battery technology
- > Rugged design ensures dependable operation
- > Automatic activation in water simplifies crew operation. It can also be manually activated.
- > Internal GPS receiver to transmit ELT location
- > One part number for all aircraft platforms and spares
- > Certified for use on land and in water
- > Storage of aircraft information in optional AIM3 allows for ELT reprogramming
- > Certifications to DO-204A, DO-160F and TSO-C126b (TSO-C142c expected in 2026)



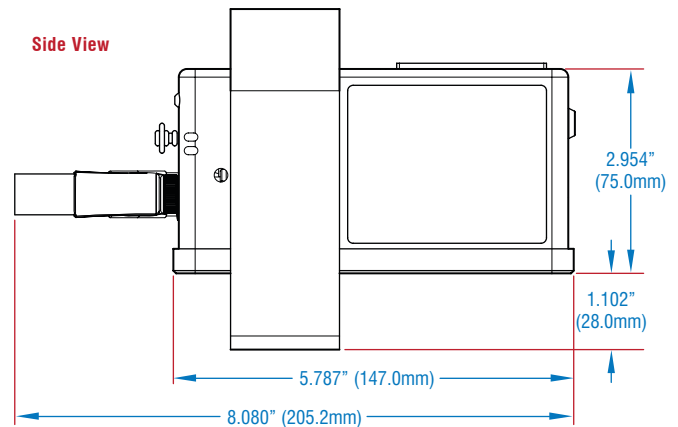
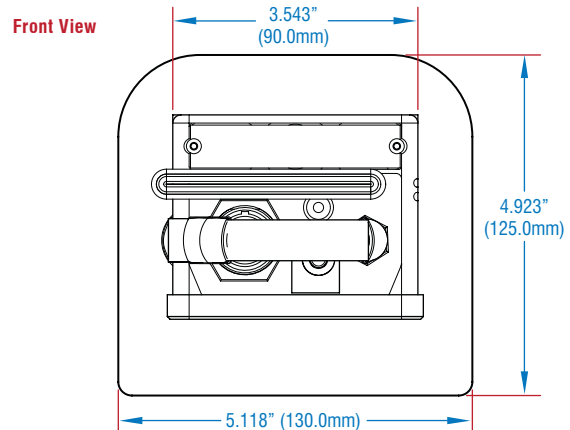
**DUKANE SEACOM**

A **HEICO** COMPANY

[www.DukaneSeacom.com](http://www.DukaneSeacom.com)

# RESCU 406SG

## Portable Emergency Locator Transmitter (ELT)



### SPECIFICATIONS

<b>Operating Frequencies</b>	121.5 MHz and 406.040 MHz
<b>Frequency Tolerance</b>	±0.005% (121.5 MHz), ±1 kHz (406.040 MHz)
<b>RF Output Power</b>	100 mW (121.5 MHz) 5 watts (406 MHz)
<b>Dimensions</b>	Length: 5.87 inches (149 mm) Width: 5.28 inches (134 mm) Height: 5.08 inches (129 mm)
<b>Weight (with Battery)</b>	2.64 lbs (1.2 kg)
<b>Battery Type</b>	Four A-type, lithium manganese dioxide (LiMnO <sub>2</sub> )
<b>Battery Life</b>	Five years
<b>Operating Life</b>	121.5 MHz: 50 hours 406 MHz: 24 hours
<b>Temperature Range</b>	Storage: -67.0 to +185 °F (-55 to +85 °C) Operating: -4.0 to +131.0 °F (-20 to +55 °C)
<b>Part Number</b>	51090368-1
<b>Case Material</b>	Aluminum alloy
<b>Activation Alerts</b>	Visual (LED)
<b>MTBF</b>	> 40,000 flight hours
<b>Water Switch Activation</b>	Fresh/salt water

**DUKANE SEACOM**

A HEICO COMPANY

7135 16th Street East, Suite 101 | Sarasota, FL 34243

T: 941.739.3200 | F: 941.739.3201

Data, including specifications, contained within this document are summary in nature and subject to change at any time without notice at Radiant Power Corp./Dukane Seacom Inc.'s discretion. Call for latest revision. All brand names and product names referenced are trademarks, registered trademarks, or trade names of their respective holders.

SSRESCU 406SGRB 251211

www.DukaneSeacom.com